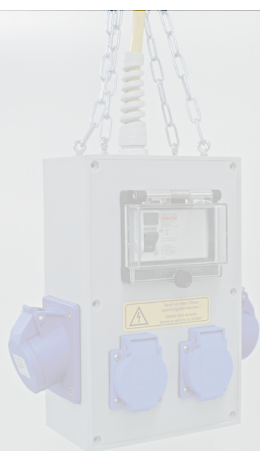


SYSTEMATIC QUALITY

Cable glands



Catalogue



GIFAS
ELECTRIC

12B

Technical data

Technical data



Page 3

Page 3

Cable glands

Cable glands

Cable glands antikink



Page 4



Page 4

Counter nut Mounting rings Blind charts

Counter nut

Mounting rings

Blind charts



Page 5



Page 5



Page 5

Locking screw Clasp bit Reduction

Locking screw

Clasp bit

Reduction



Page 6



Page 6



Page 6

Packing set special Elbow flange

Packing set special

Elbow flange



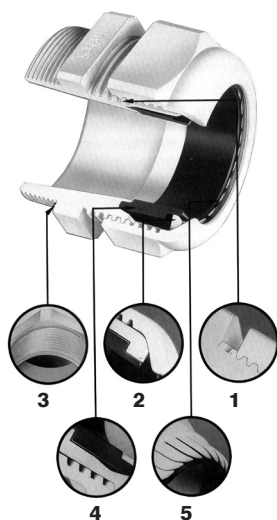
Page 7

Page 7



Page 7

Technical data



Five times better

1. Trapezoidal thread
2. Overlapping clamping plates
3. Injection moulded seals
4. Clamping plates with slanted slots
5. Moulded seal

Available on request

- Intrinsically safe version in blue
- Multi entries
- Heat-resistant version (Teflon)
- other clamping ranges
- Expansion fittings
- Flat cable fittings
- Reducer fittings

	cable glands	counter nut	mounting rings	locking screw	clasp bits
Material	Polyamide	Polyamide glass fiber reinforced or brass	Polyamide	Polyamide glass fiber reinforced	Polyamide
Moulded seal	Perbunan				
Protection category	According to DIN 40050: IP68 up to 10 bar in the clamping range indicated			IP54	IP54
Temperature range	-40°C to +100°C	-40°C to +100°C	-40°C	-40°C to +100°C	-40°C to +100°C
Colours	grey RAL 7035 black RAL 9005	grey RAL 7035 black RAL 9005	grey RAL 7035 black RAL 9005	grey RAL 7035 black RAL 9005	black RAL 9005

Cable glands



Sophisticated design featuring overlapping clamping plates with slanted slots, adaptable moulded seal and injected sealing edge on the thread. This results in a superior, waterproof and easily installable standard cable gland. Good strain relief and large clamping ranges provide universal application possibilities in mechanical and plant engineering, as well as installation technology. Long connection threads are required for thick-walled terminal and distribution boxes when there is no thread in the bores. With a counter nut, the cable gland can be used in wall thicknesses of up to 10 mm.

Features

- halogen and phosphor-free
- degree of protection IP68 up to 10 bar
- fire protection class V0 in accordance with UL 94
- patented union nut vibration protection

Normal thread (NT) version

Item no. grey	Item no. black	AG metric	∅K mm	GL mm	H mm	mm
✓ 051478	✓ 051504	M12×1.5	3-6.5	8	21	15
✓ 051479	✓ 051505	M16×1.5	4-8	8	22	19
✓ 051483	✓ 051506	M16×1.5	5-10	8	25	22
✓ 051484	✓ 051507	M20×1.5	6-12	9	27	24
✓ 051486	✓ 051508	M20×1.5	10-14	9	28	27
✓ 051492	✓ 051509	M25×1.5	13-18	11	31	33
✓ 051498	✓ 051510	M32×1.5	18-25	11	39	42
✓ 051501	✓ 051511	M40×1.5	22-32	13	48	53
✓ 051502	✓ 051513	M50×1.5	32-38	13	49	60
✓ 051503	✓ 051514	M63×1.5	37-44	14	49	65/68

Long thread (LT) version

Item no. grey	Item no. black	AG metric	∅K mm	GL mm	H mm	mm
✓ 058126	✓ 058139	M12×1.5	3-6.5	15	21	15
✓ 058127	✓ 056621	M16×1.5	4-8	15	22	19
✓ 058129	✓ 058140	M16×1.5	5-10	15	25	22
✓ 058131	✓ 056622	M20×1.5	6-12	15	27	24
✓ 058132	✓ 058141	M20×1.5	10-14	15	28	27
✓ 058133	✓ 058142	M25×1.5	13-18	15	31	33
✓ 058135	✓ 058143	M32×1.5	18-25	15	39	42
✓ 058136	✓ 058144	M40×1.5	22-32	18	48	53
✓ 058137	✓ 058145	M50×1.5	32-38	18	49	60
✓ 058138	✓ 058146	M63×1.5	37-44	18	49	65/68

✓ from stock, offer subject to prior sale

Cable glands antikink



The applied technology, combined with a flexible bending protection spiral, provides optimal protection against wire breakage for flexible connection lines. If there is no thread in the bores, long connection threads are required for terminal and distribution boxes with large wall thicknesses. With a counter nut, this cable gland is suitable for wall thicknesses of up to 10 mm.

Features

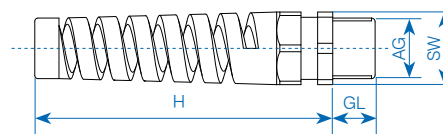
- halogen and phosphor-free
- degree of protection IP68 up to 10 bar
- fire protection class V0 in accordance with UL 94
- patented union nut vibration protection

Normal thread (NT) version

Item no. grey	Item no. black	AG metric	∅K mm	GL mm	H mm	mm
051518	051525	M12×1.5	3-6.5	8	54	15
051520	051526	M16×1.5	4-8	8	63	19
✓ 051521	✓ 051527	M16×1.5	5-10	8	78	22
✓ 051522	✓ 051529	M20×1.5	6-12	9	90	24
✓ 051523	✓ 051531	M20×1.5	10-14	9	100	27
051524	✓ 051532	M25×1.5	13-18	11	114	33

Long thread (LT) version

Item no. grey	Item no. black	AG metric	∅K mm	GL mm	H mm	mm
058274	058276	M12×1.5	3-6.5	15	54	15
058277	058278	M16×1.5	4-8	15	63	19
058279	✓ 058280	M16×1.5	5-10	15	78	22
058281	✓ 058282	M20×1.5	6-12	15	90	24
058283	✓ 058284	M20×1.5	10-14	15	100	27
058285	✓ 058287	M25×1.5	13-18	15	114	33



Certifications cable glands and cable glands antikink

German Association for Electrical, Electronic and Information Technologies (VDE), Underwriters Laboratories (UL), UL certification mark for recognised components, Canadian Standards Association (CSA)

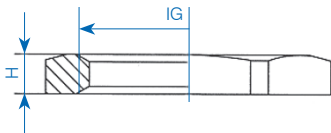
Counter nut / Mounting rings / Blind charts

Counter nut



Counter nuts made out of glass-fibre reinforced polyamide or brass, excellent resistance against acids, alkalis, seawater, petrol and mineral oil. For technical data, see page 3!

Item no. brass	Item no. grey polyamide	Item no. black polyamide	size metric mm	HH mm
✓ 051889	✓ 054587	✓ 054595	M12×1.5	2.85
✓ 051890	✓ 054588	✓ 054596	M16×1.5	2.85
✓ 051891	✓ 054589	✓ 054597	M20×1.5	3.60
✓ 048091	✓ 054590	✓ 054598	M25×1.5	3.57
✓ 048069	✓ 054591	✓ 054599	M32×1.5	4.70
✓ 051896	✓ 054592	✓ 054600	M40×1.5	5.70
✓ 051897	✓ 054593	054601	M50×1.5	5.80
✓ 051899	✓ 054594	054602	M63×1.5	6.80

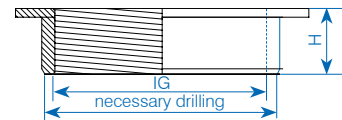


Mounting rings with metric internal thread



Mounting rings with metric internal threads for the installation of M fittings in hard rubber or other materials which do not allow the direct cutting of M threads. For technical data, see page 3!

Item no. grey	Item no. black	size IG	necessary drilling mm	H mm
✓ 056826	✓ 056834	M16×1.5	19	12
✓ 056828	✓ 056837	M20×1.5	24	12
✓ 056829	✓ 056838	M25×1.5	29	13
✓ 056831	✓ 056839	M32×1.5	36	13
✓ 056832	✓ 056840	M40×1.5	44	15
✓ 056833	✓ 056841	M50×1.5	55	15
✓ 030465	✓ 030466	M63×1.5	68	15



Blind charts



Plastic blind charts (natural polypropylene) can be used as dust caps especially for the cable glands.

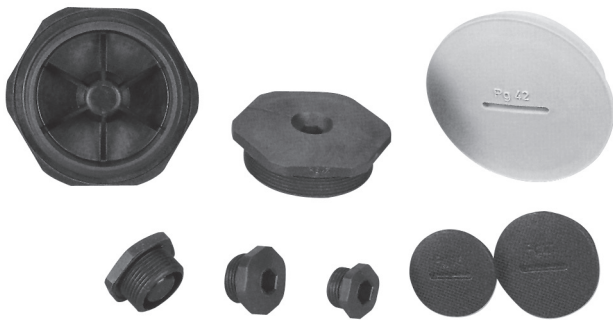
Item no.	size AG	Ø mm
✓ 047180	M16×1.5	13.5
✓ 054104	M20×1.5	18.5
✓ 033169	M25×1.5	26.0
✓ 033171	M32×1.5	35.0
✓ 034012	M40×1.5	45.0
✓ 031228	M50×1.5	52.0
✓ 035103	M63×1.5	57.0



Item no.	Designation
✓ 026610	Superglue Loctite 406

✓ from stock, offer subject to prior sale

Locking screw



Locking screws made out of glass-fibre reinforced polyamide, excellent resistance against acids, alkalis, seawater, petrol and mineral oil. For technical data, see page 3!

Clasp bit / Reduction



Clasp bits for watertight sealing of cable glands with clamping plates featuring slanted slots, which are mounted without cables. For technical data, see page 3!

Version: Round, with slot

Item no. grey	Item no. black	size AG	Ø mm	GL mm	H mm
✓ 058185	✓ 058175	M12×1.5	15	6	10.0
✓ 058186	✓ 058176	M16×1.5	20	7	11.5
✓ 058189	✓ 058177	M20×1.5	24	7	13.0
✓ 058191	✓ 058178	M25×1.5	30	11	15.5
✓ 058192	✓ 058179	M32×1.5	38	11	16.0
058193	✓ 058180	M40×1.5	46	13	18.0
✓ 058196	✓ 058181	M50×1.5	56	13	18.5
058197	✓ 058183	M63×1.5	69	15	19.0

Clasp bits

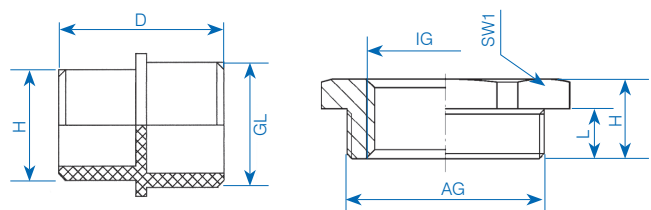
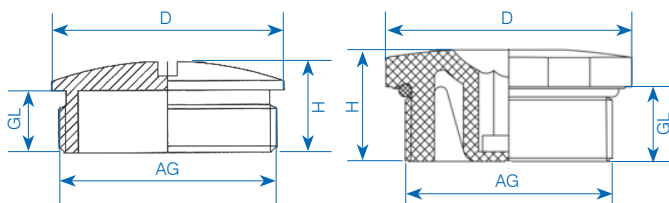
Item no. black	size AG	L mm	Ø D mm	Ø d mm
✓ 041397	M16×1.5	17.0	7.5	5.5
✓ 041400	M20×1.5	19.0	11.5	8.5
✓ 041402	M25×1.5	23.5	17.5	15.5
✓ 041403	M32×1.5	26.0	24.0	19.0
✓ 044169	M40×1.5	28.0	31.0	25.0
✓ 045974	M50×1.5	28.0	37.0	30.0
045976	M63×1.5	28.0	43.0	34.0

Version: Hexagonal with hexagon socket

Item no. grey	Item no. black	size AG	Ø mm	GL mm	H mm
✓ 058167	051999	M12×1.5	16.5	8.5	13.0
✓ 058168	052004	M16×1.5	20.5	8.5	13.0
✓ 052013	052005	M20×1.5	25.5	9.0	14.5
✓ 052014	✓ 052006	M25×1.5	30.5	10.5	16.0
✓ 058169	✓ 052007	M32×1.5	38.0	11.5	17.5
058171	✓ 052009	M40×1.5	48.0	11.5	18.0
058172	052011	M50×1.5	60.0	13.5	20.0
058173	052012	M63×1.5	75.0	14.5	21.0

Reduction

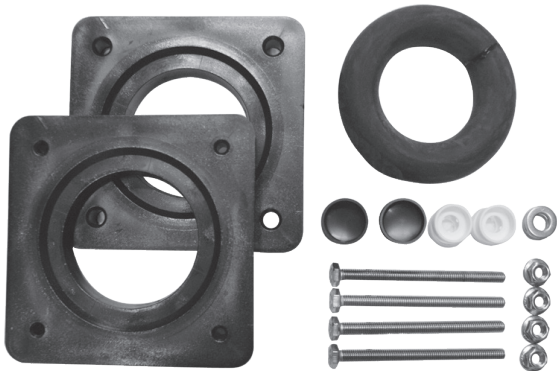
Item no. black	AG mm	IG mm	H mm	L mm	mm
✓ 111753	M20×1.5	M16×1.5	12	8	24
✓ 010798	M25×1.5	M20×1.5	14	8	29
✓ 054516	M32×1.5	M25×1.5	16	10	36
✓ 017228	M40×1.5	M32×1.5	16	10	55
✓ 035689	M50×1.5	M40×1.5	18	12	55
✓ 111754	M63×1.5	M50×1.5	18	12	68



✓ from stock, offer subject to prior sale

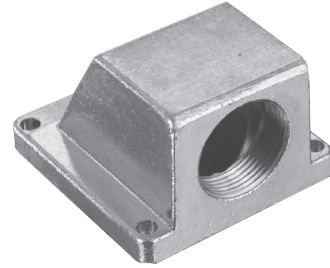
Packing set special / Elbow flange metal

Packing set special



Special plastic cable glands for cable diameters of 46 mm and over.

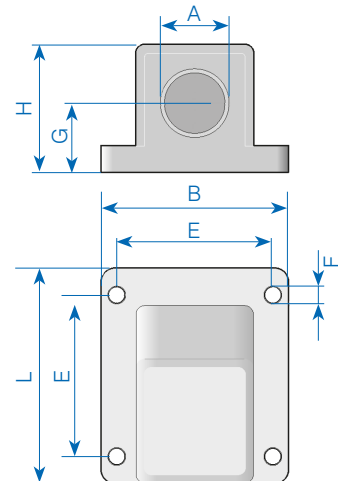
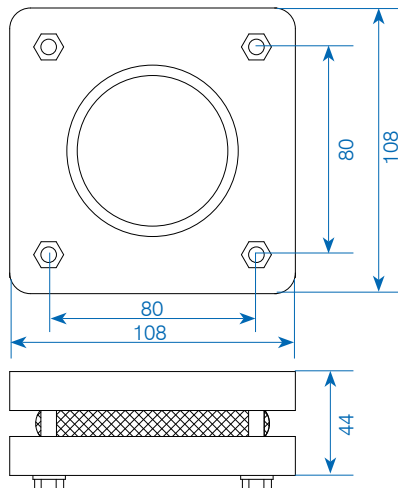
Elbow flange metal



Zinc, short version
Metric connection thread EN 60423
Degree of protection IP68 up to 10 bar

Item no.	Designation
✓ 045530	Cable gland seal kit, special plastic (black) – clamping range 46 - 56 mm, incl. fixing material
✓ 045533	Cable gland seal kit, special plastic (black) – clamping range 55 - 65 mm, incl. fixing material

Item no.	thread	B mm	L mm	H mm	E mm	F mm	G mm
✓ 016993	M25	63	65	42	54	4×5.5	22.5
✓ 016992	M32	71	75	52	60	4×5.5	27.0
✓ 015593	M40	71	75	52	60	4×5.5	27.0
✓ 015449	M50	89	93	69	72	4×6.5	33.5
✓ 035271	M63	98	114	74	84	4×6.5	37.0



✓ from stock, offer subject to prior sale

GET IN TOUCH WITH US

News about the assortment and specific solutions can be found on our website:

www.gifas.ch

We reserve the right to make technical modifications. V0917



GIFAS
ELECTRIC

GIFAS-ELECTRIC GmbH
Dietrichstrasse 2
CH-9424 Rheineck

+41 71 886 44 44
+41 71 886 44 49
info@gifas.ch
www.gifas.ch